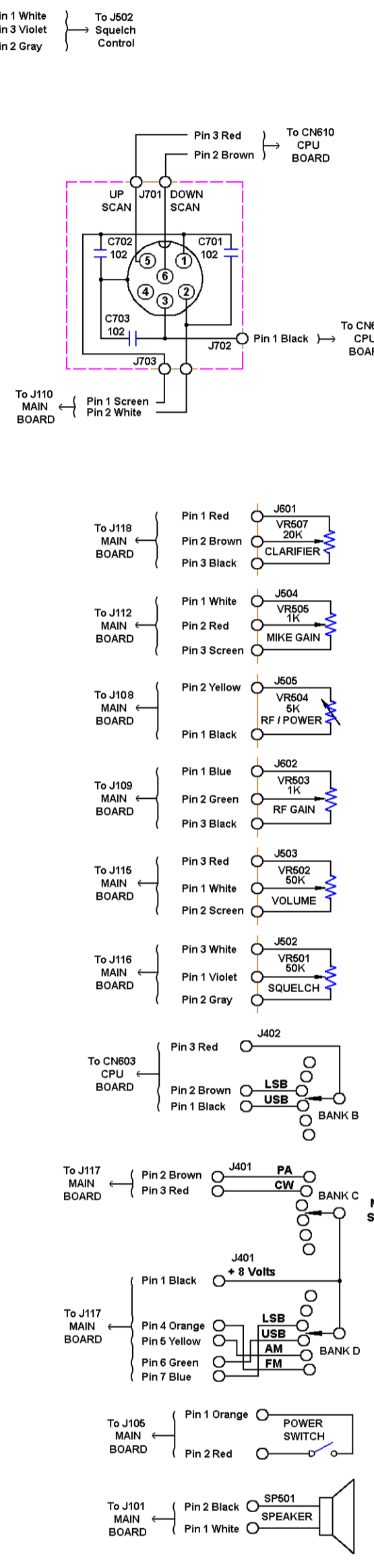


EPT295013Z

NOTES:

Capacitors values
101 = 100pF
102 = 1nF or 0.001uF
103 = 10nF or 0.01uF
104 = 100nF or 0.1uF
Capacitors with M in front of the value are Mylar type.
Replacing electrolytic capacitors, it is best to use ones with a working voltage 16 Volts plus



Component list table with columns for component type and value.

EPT295013Z

EPT295013Z

Updated & Edited by: Rick Jackson (Euro Radio Co.)
Date 09 November 2006 Rev # 1.4

Revision table with columns for component, value, model, and other details.

R337
C550
D117
Q58
L67