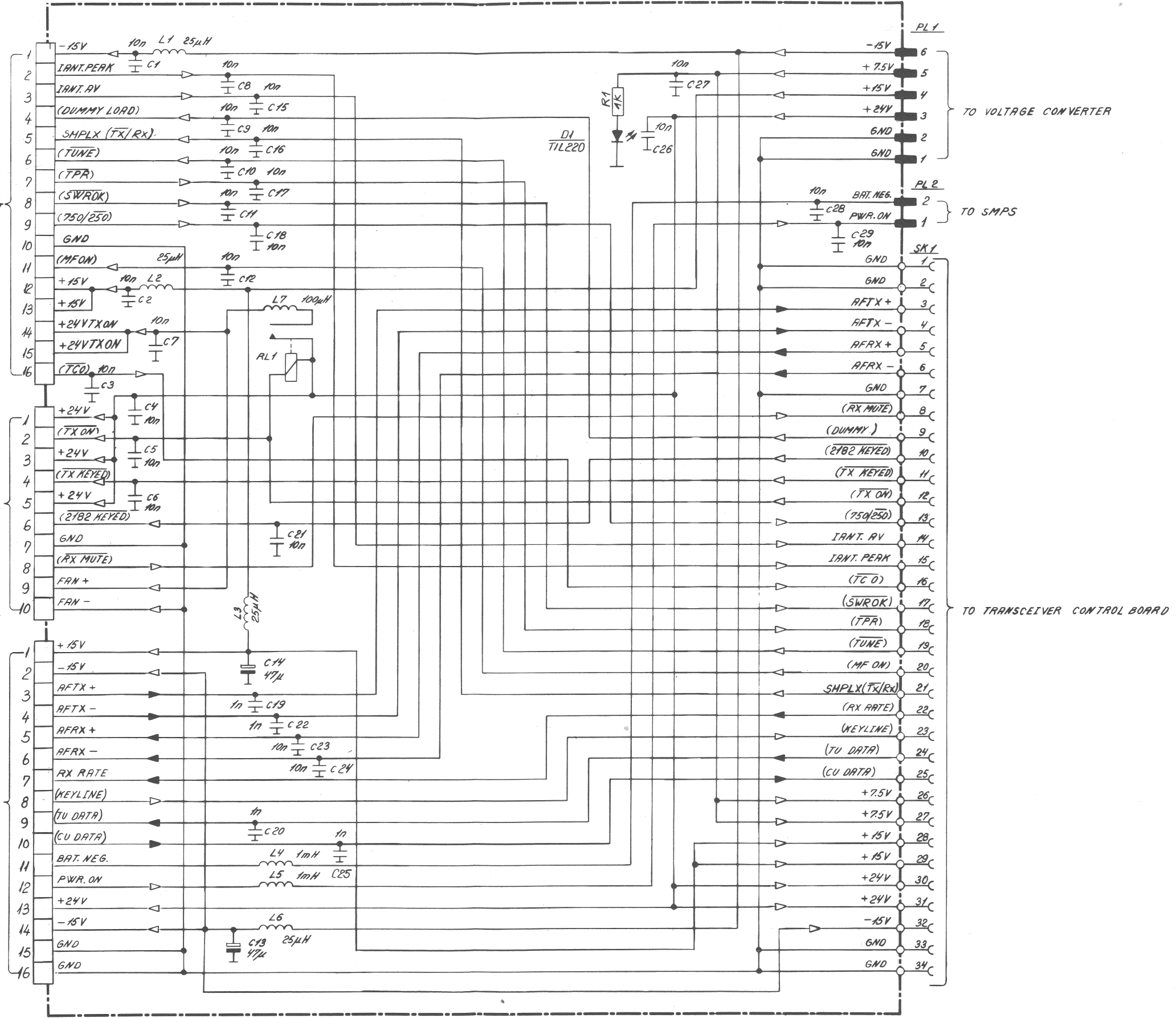


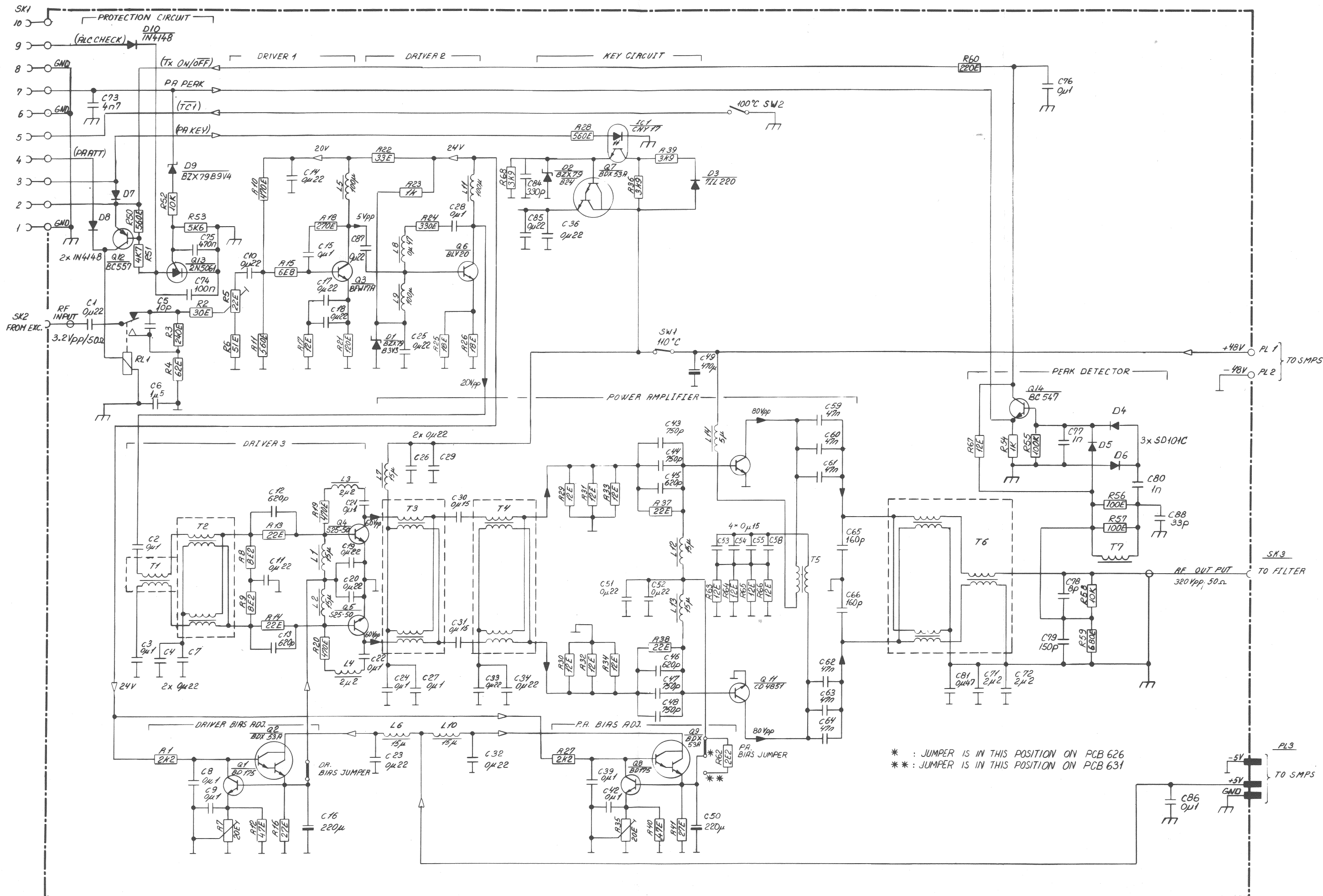
620 TS1
TO AUTOMATIC TUNING UNIT

620 TS2
TO AUXILIARY EQUIPMENT

620 TS3
TO CONTROL UNIT



620 INTERCONNECTION BOARD
VERSION 2A



* : JUMPER IS IN THIS POSITION ON PCB 626
 ** : JUMPER IS IN THIS POSITION ON PCB 631