

AC Power Supply Unit 8250

## TECHNICAL DESCRIPTION

### AC POWER SUPPLY UNIT P 8250

The P 8250 is a combined AC/DC Power Supply especially developed for powering the TRP 8250 Series. The input power for P 8250 is AC, and the output is an unregulated 32 V-DC voltage.

Where a battery is required as a reserve source of electrical energy to the radiotelephone equipment, it can be connected via the P 8250 power supply. By means of the switch on the front panel it is possible to select between AC or Battery operation.

#### Primary connections of mains transformer

The primary connections of the mains transformer must be wired according to the diagram inside the cover of the unit depending on the mains voltage.

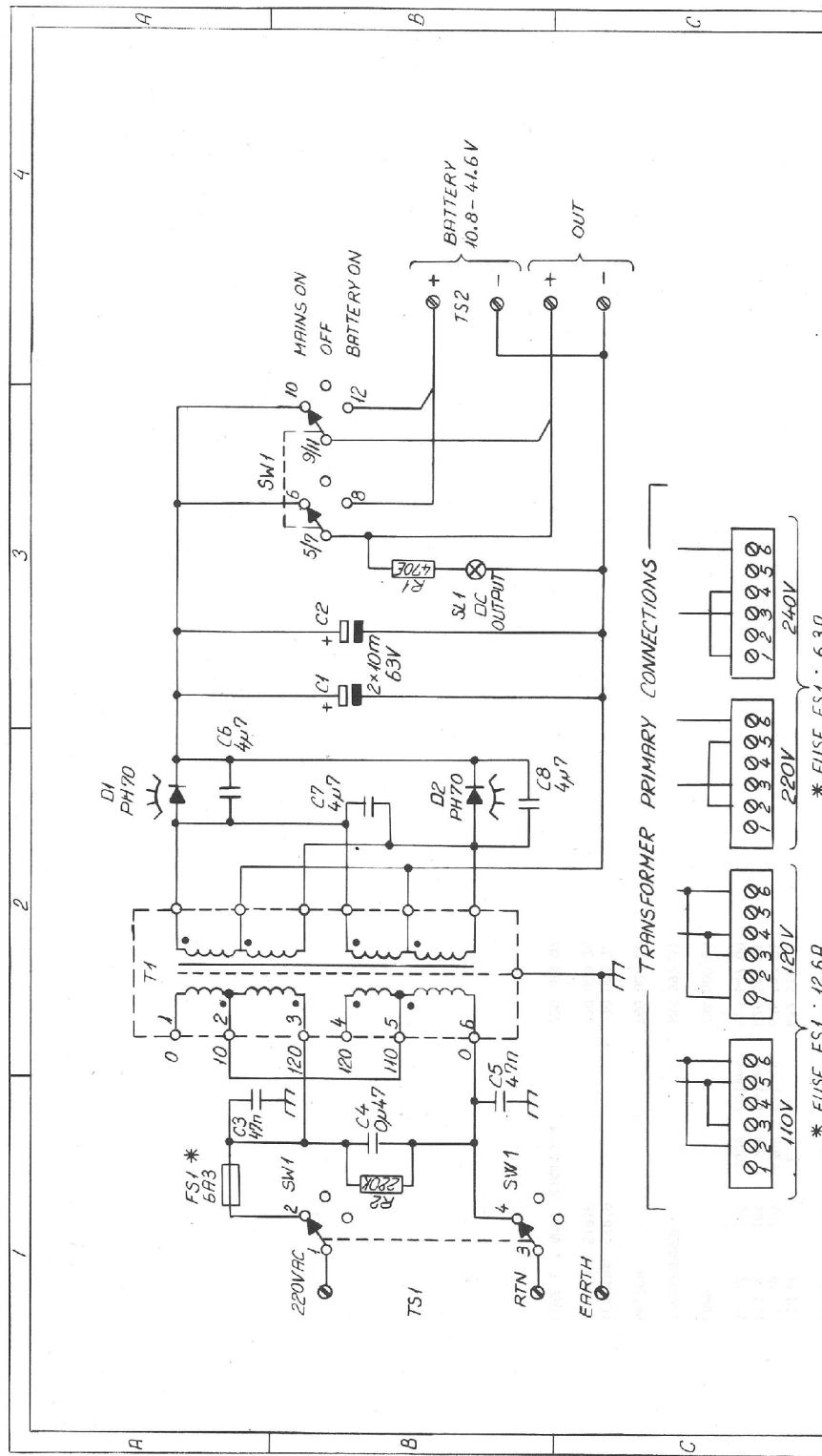
#### Fuse ratings

Only one fuse is used in the system, the Mains fuse FS1 on the front panel.

From the factory the P 8250 is normally delivered wired for 220 VAC, and therefore the fuse mounted is a 6A3 slow type.

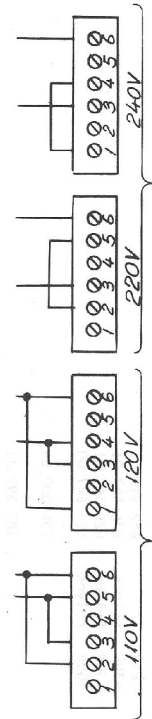
The fuse ratings are as follows:

Mains voltage (volt)	Fuse FS 1 (size 6.3 X 32 mm)
110/120	12A5 (slow)
220/240	6A3 (slow)



P 8250 AC POWER SUPPLY UNIT  
VERSION 2A.

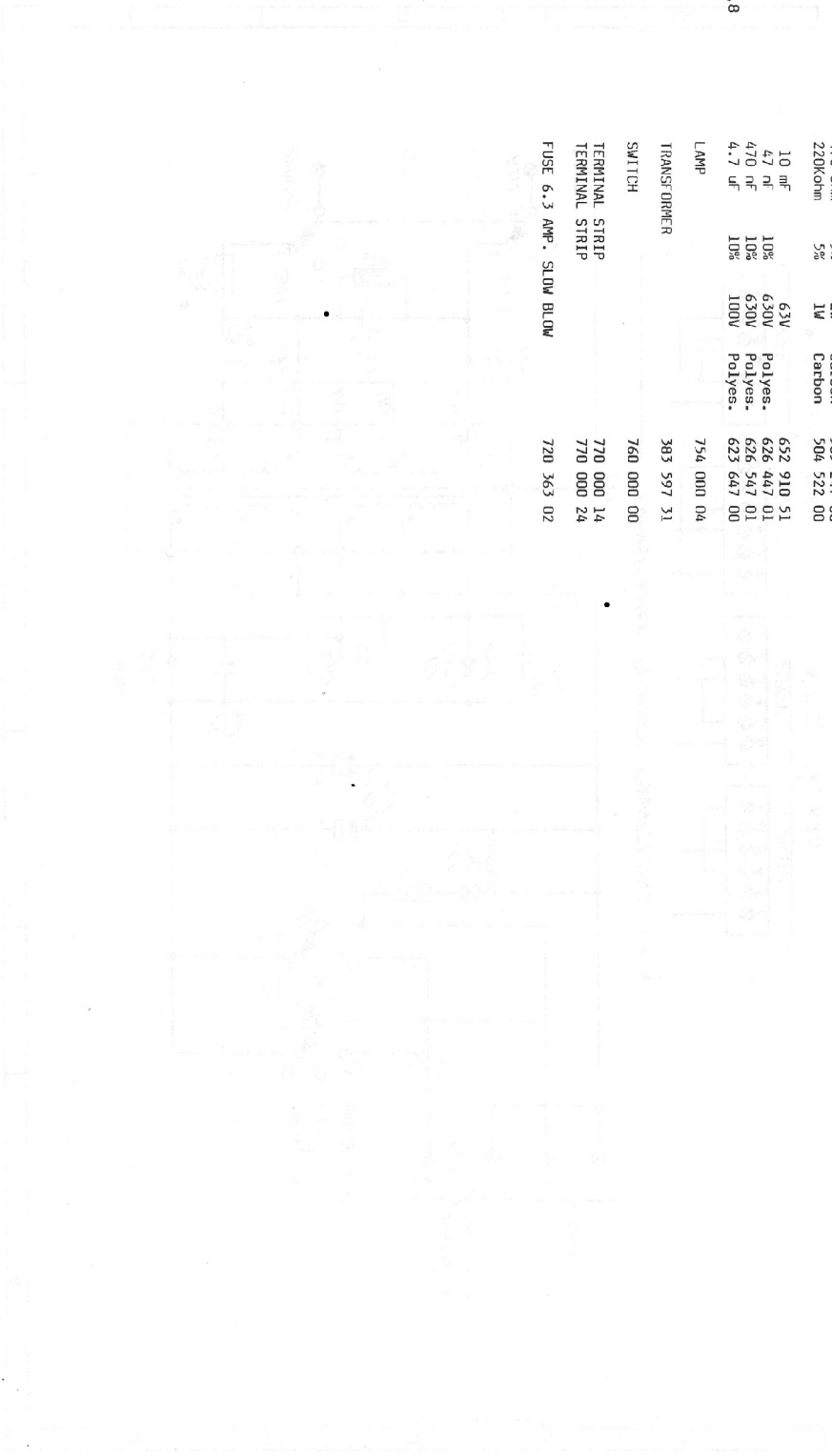
TRANSFORMER PRIMARY CONNECTIONS



\* FUSE FS1 : 12.6A  
\* FUSE FS1 : 6.3A

PARTS LIST FOR AC POWER SUPPLY UNIT VERSION 2A

DL1,2	PH170			831 007 00	
R1	470 ohm	5%	2W	Carbon	503 247 00
R2	220Kohm	5%	1W	Carbon	504 522 00
C1,2	10 uF	10%	63V	PolYes.	652 910 51
C3,5	47 nF	10%	630V	PolYes.	626 447 01
C4	470 nF	10%	630V	PolYes.	626 547 01
C6,7,8	4.7 uF	10%	100V	PolYes.	623 647 00
SL1	LAMP				754 000 04
T1	TRANSFORMER				383 597 31
SW1	SWITCH				760 000 00
TS1	TERMINAL STRIP				770 000 14
TS2	TERMINAL STRIP				770 000 24
FS1	FUSE 6.3 AMP. SLOW BLOW				720 363 02



VERSION 2A  
 132947 BAWMH JMS/SLA 09/11